

W+ Standard

CENTRIFUGAL PUMP

FORM NO.: L453145UK REVISION: 04/2015

READ AND UNDERSTAND THIS MANUAL PRIOR TO OPERATING OR SERVICING THIS PRODUCT.



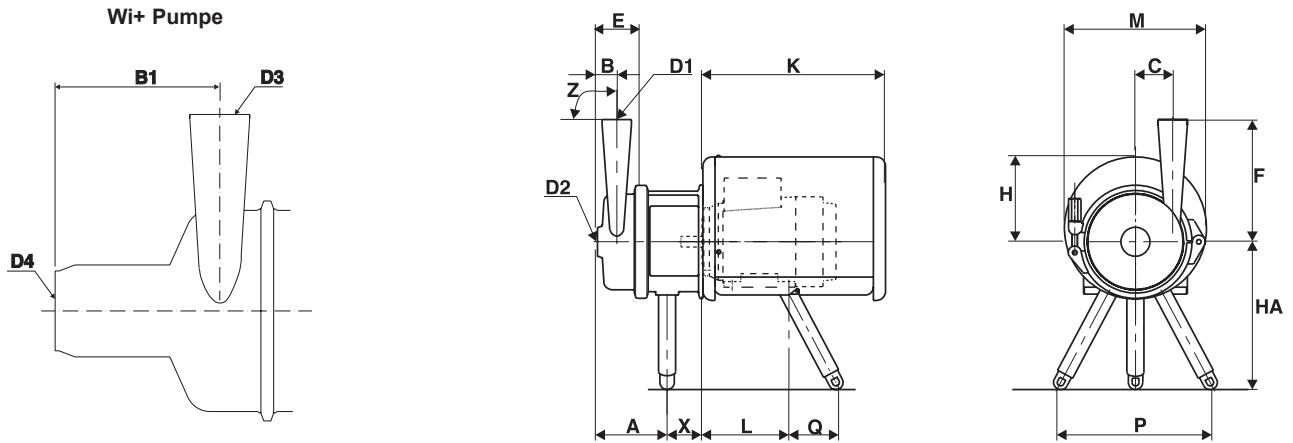
Table of contents		Page	W+
1.	Pump dimensions	1	
1.1	Adjustable Feet	2	
1.2	Bracket type A	3	
1.3	Bracket type B	4	
1.4	W+50/600 Adjustable feet	5	
1.5	W+50/600 Bracket type A	6	
2.	Pump complete	7	
3.	Impeller	9	
4.	Shaft seal	11	
4.1	Fixing Kit	11	
4.2	Face Kit	12	
5.	Complete seal kit	13	
5.1	Complete seal kit, single	13	
5.2	Complete seal kit, double	14	
6.	O-rings kit	15	
7.	Shaft	16	
8.	Extension frame and shaft guard	17	
9.	Adjustable Feet	19	
9.1	Motor Type 80-132	19	
9.2	Motor Type 160-200	20	
9.3	Motor Type 225-250	21	
9.4	Motor Type 180-315 (W+50/600)	22	
10.	Bracket Type A	23	
10.1	Motor Type 80-180	23	
10.2	Motor Type 180-315	23	
11.	Bracket Type B	24	
12.	Shroud	25	

1. Pump dimensions

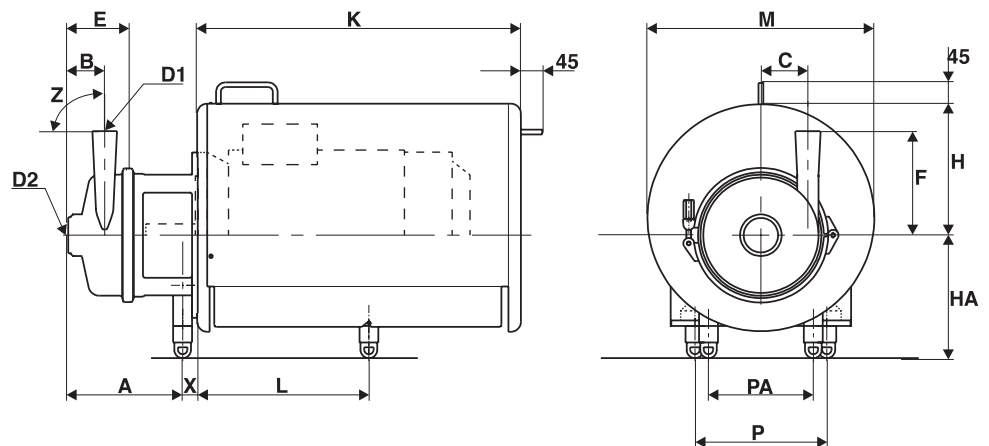
W+

1.1 Adjustable Feet

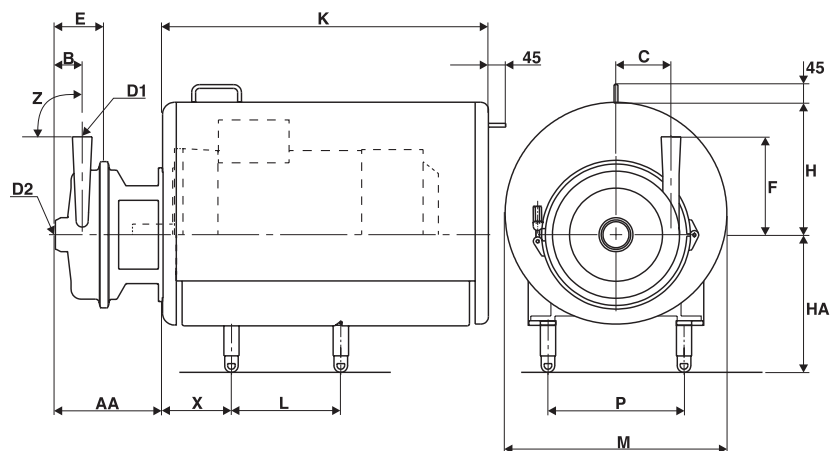
TG. 1 Motor 80-132



TG. 2 Motor 160-200



TG. 3 Motor 225-250



Tolerances:	B: $+0$ -5 mm	F: $+5$ -0 mm	D ₁ , D ₂ : Nominal	Z: $90^\circ \pm 1.5^\circ$	K: ± 5 mm	Others: ± 2 mm
-------------	--------------------	--------------------	---	-----------------------------	---------------	--------------------

1. Pump dimensions

W+

1.1 Adjustable Feet

TG		W+10/8	W+22/20	W+30/80	W+25/210	W+35/35	W+35/55	W+30/120	W+50/8	W+55/35	W+55/60	W+60/110	W+65/350	W+70/40	W+80/80	W+110/130	
1	A	138	123	181		121	145	207	137	174	182	180	182	151	176	183	
2				238	232	180	202	253		220	228	221	236	227	237	244	
3	AA				278							268	283		288	289	
	B	32	34	80	86	45	53	88	38	73	77	68	95	55,5	70	82	
	*B1		*116	*161	*249	*123	*148	*212		*134	*150	*195	*254	*123	*138	*192	
	C	45	66	70	137	83	80	95	108	108	100	106	107	129	144	157	
	E	58	72	141	168	82	105	148	82	115	123	120	155	101	127	145	
	F	85	215	215	237	230	210	250	150	195	220	290	270	225	256	230	
	D1	25	51	76	DN100	51	63,5	76	25	38	51	76	DN100	38	51	76	
	D2	38	51	101,6	DN150	63,5	76	101,6	38	63,5	76	101,6	DN150	63,5	76	101,6	
	*D3		*51	*76	*100	*51	*63,5	*76		*38	*51	*76	*100	*38	*51	*76	
	*D4		*76,1	*101,6	DN150	*76,1	*101,6	*101,6		*76,1	*101,6	*101,6	DN150	*76,1	*101,6	*101,6	
1	X	15	62	56		56	56	39	39	39	39	35	50	67	51	50	
2				46	46	46	46			46	46	46	46	46	46	46	
3 225					179								179	179		179	179
3 250													168		168	168	168
80-132M	1	160	260						260			260	260		260	260	
160	HA			260	260	260	260	260		260	260			260			
180																	
200					305				305		305		305	305	305	305	
225		3															
250	3											350		350	350	350	

* Wi+ Pumpe

	Motor														
	TG. 1					TG. 2					TG. 3				
	80	90S	90L	100L	112M	132S	132M	160M	160L	180M	180L	200L	225S	225M	250M
K	321	321	321	394	482	482	482	588	588	688	688	848	921	921	921
M	250	250	250	305	360	360	360	450	450	480	480	580	700	700	700
P	*276	276	276	276	276	276	276	254	254	279	279	318	356	356	406
P(W+110/130)				325	325	325	325								
PA								222	222	222	222	222			
Q	*89	84	84	79	72	62	62								
H	148	148	148	181,5	212	193	193	255	255	277	277	372	405	405	380
	L														
W+10/8	154														
W+22/20	150														
W+30/80		156	181	203	210	252	290								
W+25/210										362	400	463	286	311	
W+35/35								318	362						
W+35/55															
W+30/120										362	400	463			
W+50/8		156	181	203											
W+55/35															
W+55/60					210	252	290								
W+60/110															
W+65/350								318	362				286	311	349
W+70/40										362	400	463			
W+80/80		156	181	203											
W+110/130													286	311	349

* W+10/8 P=146, Q=131

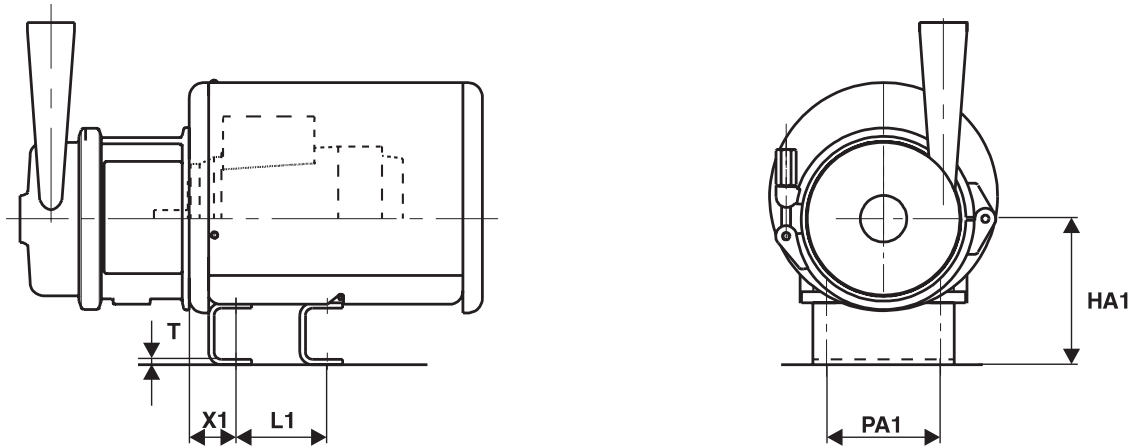
Tolerances:	B: $\begin{matrix} +0 \\ -5 \end{matrix}$ mm	F: $\begin{matrix} +5 \\ -0 \end{matrix}$ mm	D ₁ , D ₂ : Nominal	Z: 90° ± 1.5°	K: ± 5 mm	Others: ± 2 mm
-------------	--	--	---	---------------	-----------	----------------

1. Pump dimensions

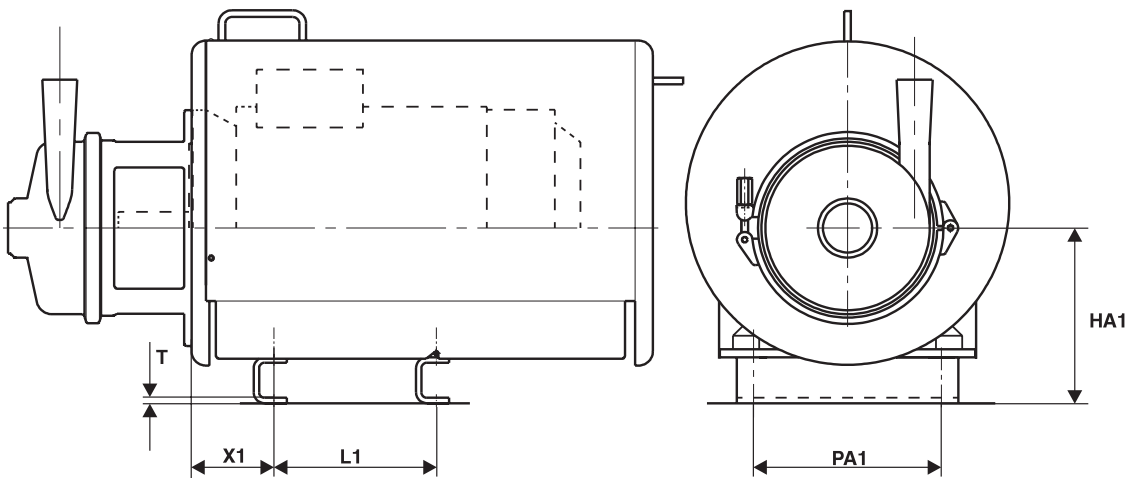
W+

1.2 Bracket type A

Motor 80 - 132M



Motor 160M - 250M



	Motor														
	80	90S	90L	100L	112M	132S	132M	160M	160L	180M	180L	200L	225S	225M	250M
X1	50	56	56	63	70	112	112	108	108	121	121	158	179	179	168
L1	100	100	125	140	140	140	178	210	254	241	279	305	286	311	349
PA1	125	140	140	160	190	216	216	254	254	279	279	318	356	356	406
T	6	6	6	6	6	6	6	6	6	6	6	8	8	8	8
HA1	160	170	170	180	192	212	212	240	240	260	260	280	305	305	330

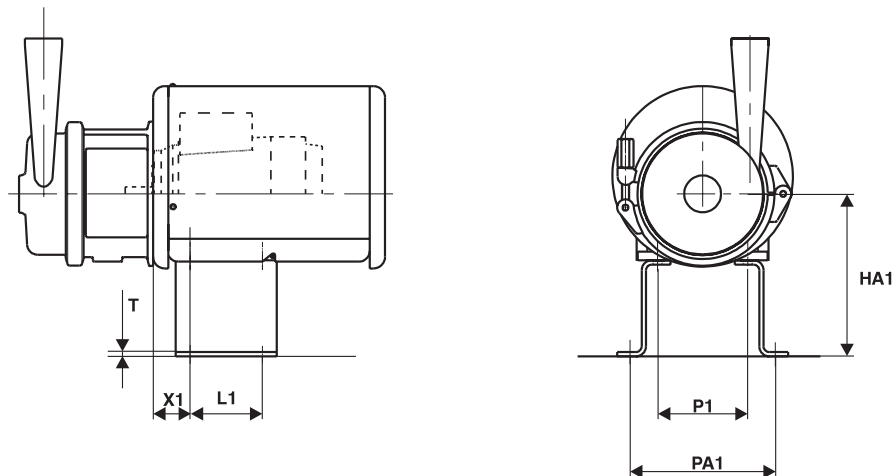
Tolerances:	B:	+0 -5 mm	F:	+5 -0 mm	D ₁ , D ₂ :	Nominal	Z:	90° ± 1.5°	K:	± 5 mm	Others:	± 2 mm
-------------	----	-------------	----	-------------	-----------------------------------	---------	----	------------	----	--------	---------	--------

1. Pump dimensions

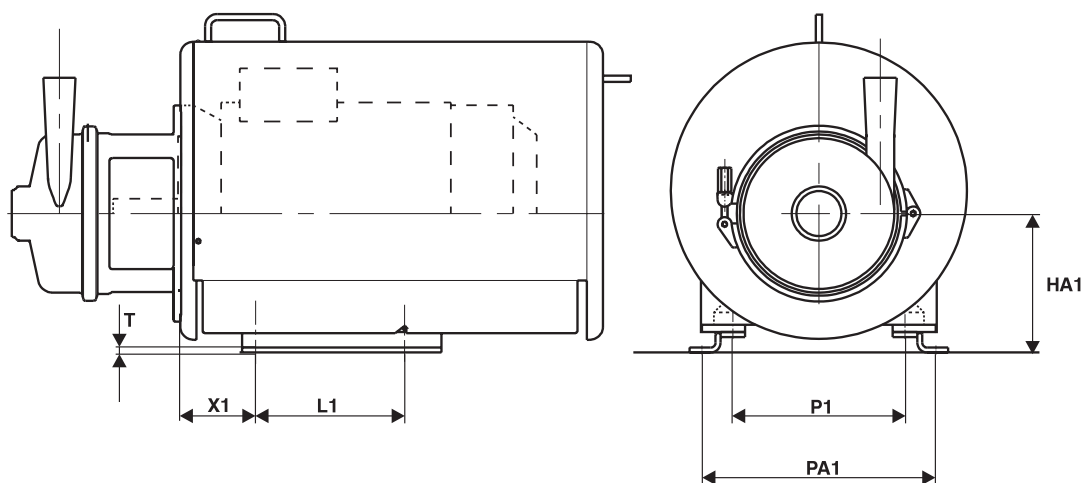
W+

1.3 Bracket type B

Motor 80 - 132M



Motor 160M - 200L



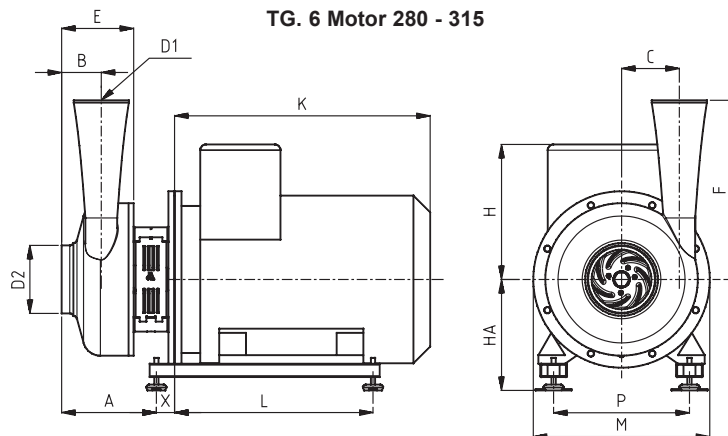
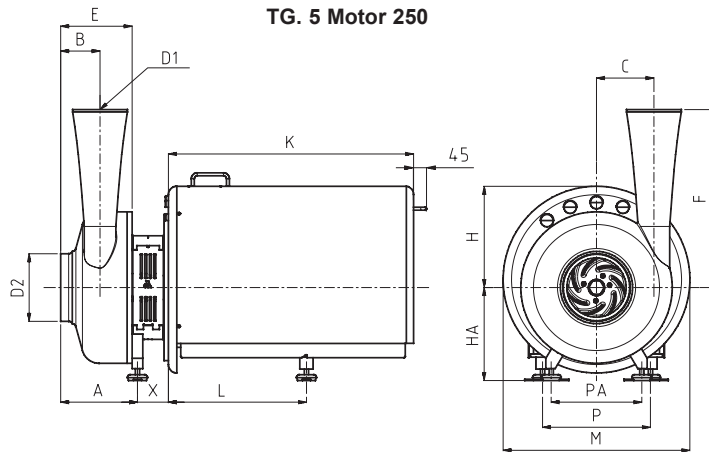
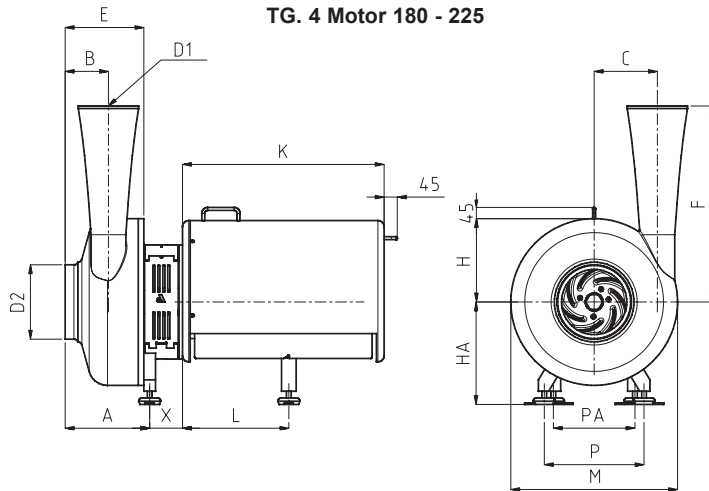
	Motor											
	80	90S	90L	100L	112M	132S	132M	160M	160L	180M	180L	200L
X1	50	56	56	63	70	112	112	108	108	121	121	158
L1	100	125	125	140	140	178	178	254	254	279	279	305
P1	125	140	140	160	190	216	216	254	254	279	279	318
PA1	201	216	216	236	266	292	292	358	358	379	379	432
T	6	6	6	6	6	6	6	6	6	6	6	10
HA1	225	225	225	225	225	225	225	225	225	225	225	225

Tolerances:	B: $\begin{matrix} +0 \\ -5 \end{matrix}$ mm	F: $\begin{matrix} +5 \\ -0 \end{matrix}$ mm	D ₁ , D ₂ : Nominal	Z: 90° ± 1.5°	K: ± 5 mm	Others: ± 2 mm
-------------	--	--	---	---------------	-----------	----------------

1. Pump dimensions (W+50/600)

W+

1.4 W+50/600 Adjustable feet



W+50/600						
Motor						
	TG. 4			TG. 5	TG. 6	
	180	200	225	250	280	315
A	289			289	313	354
B	148					
C	216					
D1	ø206					
D2	ø254,4					
E	269					
F	670					
H	277	372	347	381	376	505
HA	350			350	375	415
K	690	848	923	923	760	955
L	364	465	492	519	717	743
M	ø570	ø580	ø702,8	ø702,8	ø570	ø660
P	279	318	356	406	457	508
PA	311			311	-	-
X	112			117	93	67

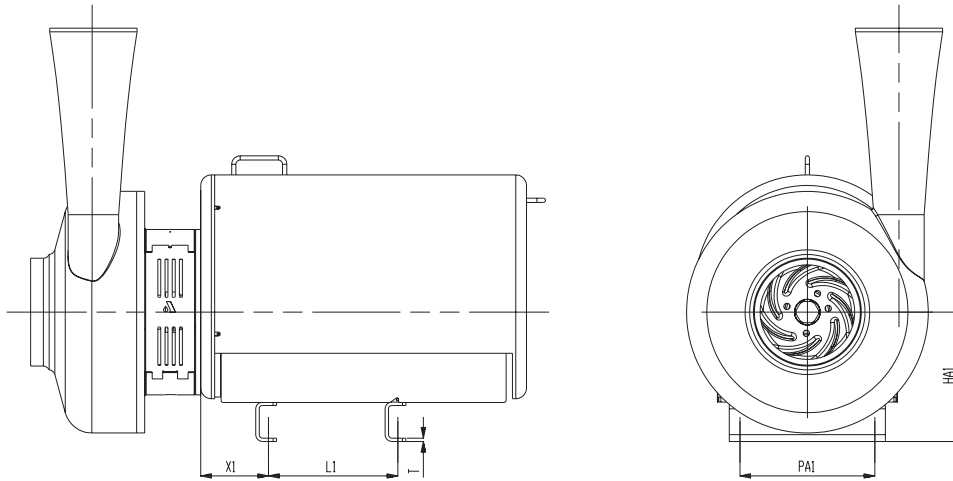
Tolerances: B: $\begin{matrix} +0 \\ -5 \end{matrix}$ mm F: $\begin{matrix} +5 \\ -0 \end{matrix}$ mm D₁, D₂: Nominal Z: 90° ± 1.5° K: ± 5 mm Others: ± 2 mm

1. Pump dimensions (W+50/600)

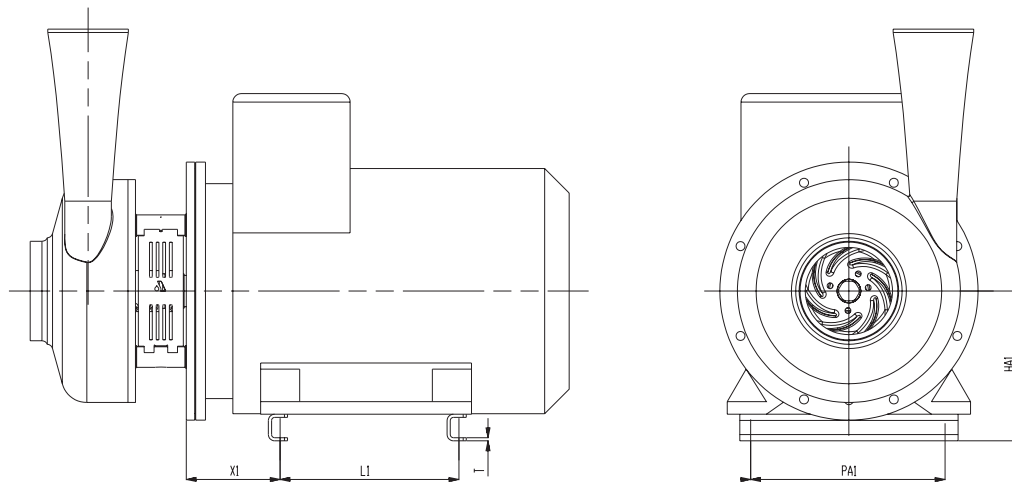
W+

1.5 W+50/600 Bracket type A

Motor 180M - 250M



Motor 280 - 315

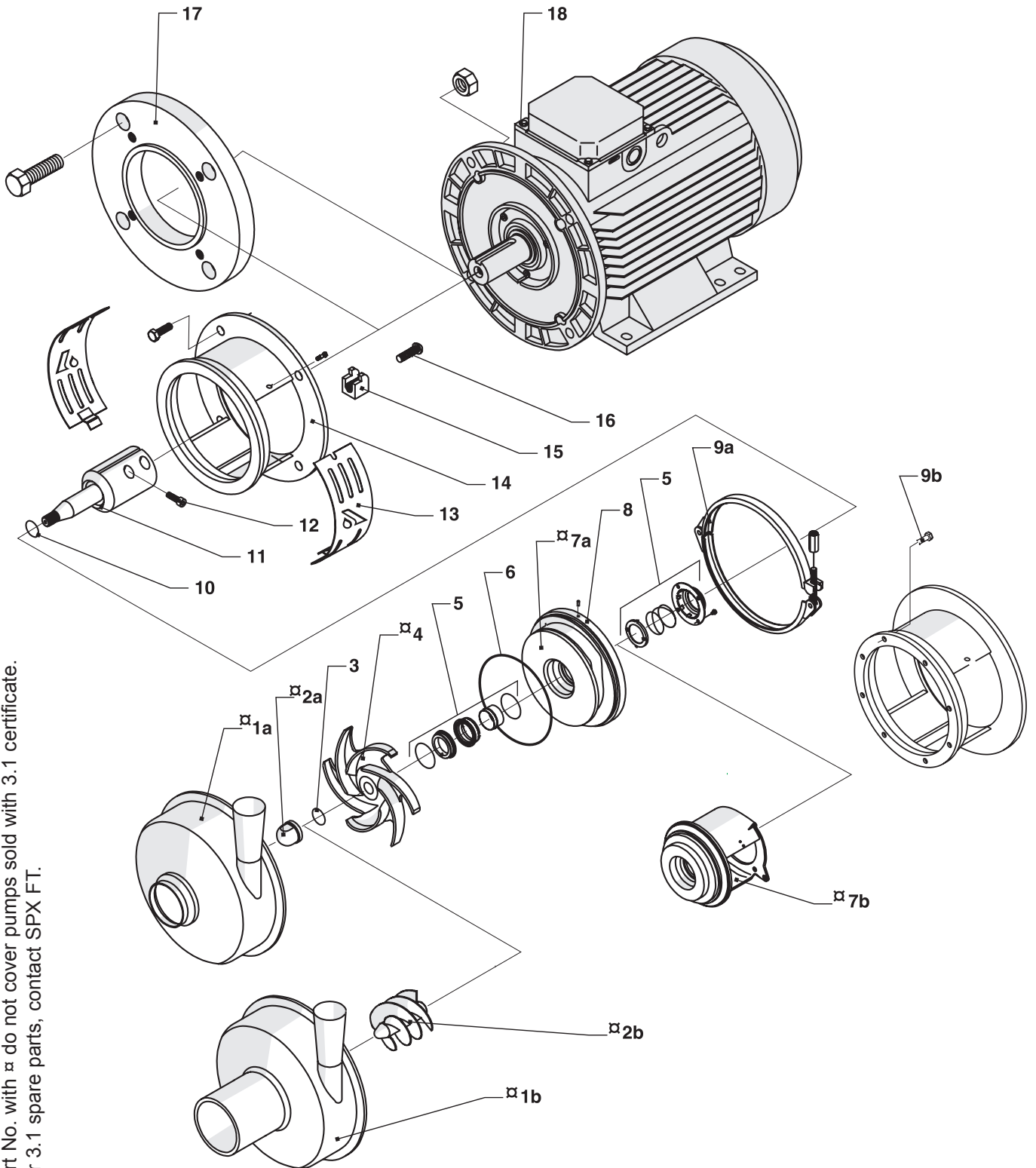


W+50/600						
Motor						
	180M	200L	225M	250M	280	315
X1	122	160	181	169	192	218
L1	241	305	311	349	419	457
PA1	279	318	356	406	457	508
T	8	8	8	8	8	8
HA1	305	305	305	330	360	395

Tolerances: B: $\begin{matrix} +0 \\ -5 \end{matrix}$ mm F: $\begin{matrix} +5 \\ -0 \end{matrix}$ mm D_1, D_2 : Nominal Z: $90^\circ \pm 1.5^\circ$ K: ± 5 mm Others: ± 2 mm

2. Pump complete

W+



Part No. with α do not cover pumps sold with 3.1 certificate.
For 3.1 spare parts, contact SPX FT.

2. Pump complete

W+

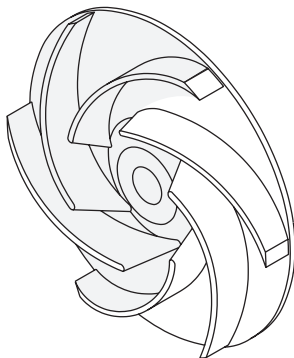
Pos	Qty	Description	Pump type							
			W+10/8	W+22/20	W+30/80	W+25/210	W+35/35	W+35/55	W+30/120	W+50/600
			Part No.							
▣ 1a	1	Pump housing	L188710	L168838	L182702	L168696	L182645	L182703	L182704	L261056
▣ 1b	1	Inducer housing	----	L183127	L182709	L182771	L188515	L182710	L188518	----
▣ 2a	1	Cap nut	L274351	L260058	L260058	L260059	L260058	L260058	L260059	L279935
▣ 2b	1	Inducer	----	L261540	L277270	L188701	L261540	L277270	L277272	----
3	1	O-ring	s/p15	s/p15	s/p15	s/p15	s/p15	s/p15	s/p15	s/p15
▣ 4	1	Impeller	s/p9-10	s/p9-10	s/p9-10	s/p9-10	s/p9-10	s/p9-10	s/p9-10	s/p9-10
5	1	Shaft seal	s/p11-12	s/p11-12	s/p11-12	s/p11-12	s/p11-12	s/p11-12	s/p11-12	s/p11-12
6	1	O-ring	s/p15	s/p15	s/p15	s/p15	s/p15	s/p15	s/p15	s/p15
▣ 7a	1	Back plate	----	----	L260934	L260945	L260935	L260936	L260937	L261051
▣ 7b	1	Back plate	L188735#	L261566#	----	----	----	----	----	----
8	1	Pin	----	----	L772493	----	L772493	L772493	L772493	L773799
9a	1	Clamp ring	L169050	L188430	L188436	----	L188436	L188436	L188432	----
9b	8	Screw M10/M16	----	----	----	L756001	----	----	----	L701533
10	1	O-ring	s/p15	s/p15	s/p15	s/p15	s/p15	s/p15	s/p15	s/p15
11	1	Shaft	s/p16	s/p16	s/p16	s/p16	s/p16	s/p16	s/p16	s/p16
12	2	Screw	s/p16	s/p16	s/p16	s/p16	s/p16	s/p16	s/p16	s/p16
13	2	Shaft guard	s/p17-18	s/p17-18	s/p17-18	s/p17-18	s/p17-18	s/p17-18	s/p17-18	s/p17-18
14	1	Extension frame	s/p17-18	s/p17-18	s/p17-18	s/p17-18	s/p17-18	s/p17-18	s/p17-18	s/p17-18
15	2	Bracket(Screw)	----	----	L268499	L701509	L268499	L268499	L268499	----
16	2	Screw	----	----	L701942	L771199	L701942	L701942	L701942	----
16	4	Screw	----	----	----	----	----	----	----	L701686
17	1	Washer	----	s/p17	s/p17	s/p17	s/p17	s/p17	s/p17	s/p17
18	1	Motor	----	----	----	----	----	----	----	----
--	--	Frame	s/p19-24	s/p19-24	s/p19-24	s/p19-24	s/p19-24	s/p19-24	s/p19-24	s/p19-24
--	--	Shroud	s/p25	s/p25	s/p25	s/p25	s/p25	s/p25	s/p25	s/p25
			W+50/8	W+55/35	W+55/60	W+60/110	W+65/350	W+70/40	W+80/80	W+110/130
▣ 1a	1	Pump housing	L168644	L182646	L182647	L182705	L253421	L182706	L168619	L253420
▣ 1b	1	Inducer housing	----	L188516	L182711	L188519	L182772	L188517	L182712	L183138
▣ 2a	1	Cap nut	L274351	L260058	L260059	L260059	L260059	L260059	L260059	L260059
▣ 2b	1	Inducer	----	L261540	L277271	L277272	L188701	L261541	L277271	L277272
3	1	O-ring	s/p15	s/p15	s/p15	s/p15	s/p15	s/p15	s/p15	s/p15
▣ 4	1	Impeller	s/p9-10	s/p9-10	s/p9-10	s/p9-10	s/p9-10	s/p9-10	s/p9-10	s/p9-10
5	1	Shaft seal	s/p11-12	s/p11-12	s/p11-12	s/p11-12	s/p11-12	s/p11-12	s/p11-12	s/p11-12
6	1	O-ring	s/p15	s/p15	s/p15	s/p15	s/p15	s/p15	s/p15	s/p15
▣ 7a	1	Back plate	L260920	L260939	L260940	L260941	L260946	L260942	L260943	L260944
8	1	Pin	----	L772493	L772493	L772493	----	L772493	L772493	----
9a	1	Clamp ring	L188431	L188432	L188432	L188433	----	L188434	L188435	----
9b	8	Screw M8/M10	----	----	----	----	L700234	----	----	L701669
10	1	O-ring	s/p15	s/p15	s/p15	s/p15	s/p15	s/p15	s/p15	s/p15
11	1	Shaft	s/p16	s/p16	s/p16	s/p16	s/p16	s/p16	s/p16	s/p16
12	2	Screw	s/p16	s/p16	s/p16	s/p16	s/p16	s/p16	s/p16	s/p16
13	2	Shaft guard	s/p17-18	s/p17-18	s/p17-18	s/p17-18	s/p17-18	s/p17-18	s/p17-18	s/p17-18
14	1	Extension frame	s/p17-18	s/p17-18	s/p17-18	s/p17-18	s/p17-18	s/p17-18	s/p17-18	s/p17-18
15	2	Bracket(Screw)	L268499	L268499	L268499	L268499	L234177	L268499	L268499	----
16	2	Screw	L701942	L701942	L701942	L701942	L700241	L701942	L701942	----
17	1	Washer	s/p17	s/p17	s/p17	s/p17	s/p17	s/p17	s/p17	s/p17
18	1	Motor	----	----	----	----	----	----	----	----
--	--	Frame	s/p19-24	s/p19-24	s/p19-24	s/p19-24	s/p19-24	s/p19-24	s/p19-24	s/p19-24
--	--	Shroud	s/p25	s/p25	s/p25	s/p25	s/p25	s/p25	s/p25	s/p25

s/pxx = see page

Integrated with extension frame item 14

3. Impeller

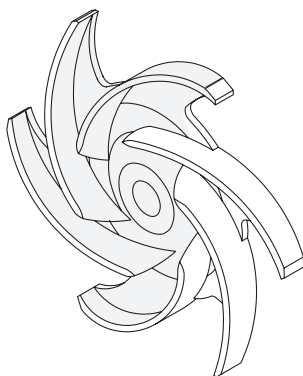
W+



Impeller Ø	Pump type						
	W+22/20	W+30/80	W+35/35		W+35/55	W+50/8	
	Part No.						
Ø200						L267328	
Ø195						L273889	
Ø190						L273890	
Ø185						L273891	
Ø180					L253740	L273892	
Ø175				L253739	L267132*	L267492	L273893
Ø170			L253738	L267481	L267133*	L267493	L273894
Ø165			L267469	L267482	L267134*	L267494	L273895
Ø160			L267470	L267483	L267135*	L267495	L273896
Ø155			L267471	L267484	L267136*	L267496	L273897
Ø150			L267472	L267485	L267137*	L267497	L273898
Ø145			L267473	L267486	L267138*	L267498	L273899
Ø140**	L253737	L182756*	L267474	L267487	L267139*	L267499	L273900
Ø135	L267460	L182757*	L267475	L267488	L267140*	L267500	
Ø130	L267461	L182758*	L267476	L267489	L267141*	L267501	
Ø125	L267462	L182759*	L267477	L267490	L267142*	L267502	
Ø120	L267463	L182760*	L267478	L267491	L267143*	L267503	
Ø115	L267464	L182761*	L267479				
Ø110	L267465	L182762*	L267480				
Ø105	L267466	L182763*					
Ø100	L267467	L182764*					
Ø95	L267468	L182765*					

* Low Flow Impeller

** Ø142 W+22/20



Impeller Ø	Pump type	
	W+50/600	
	Part No.	
Ø420	L277320	
Ø410	L280041	
Ø400	L280040	
Ø390	L280039	
Ø380	L280038	
Ø370	L280037	
Ø360	L280036	
Ø350	L280035	
Ø340	L280034	
Ø330	L280033	
Ø320	L280032	
Ø310	L280031	
Ø300	L280030	
Ø290	L280029	
Ø280	L280028	

Part No. page 38 and 39 do not cover pumps sold with 3.1 certificate.
For 3.1 spare parts, contact SPX FT.

3. Impeller

W+



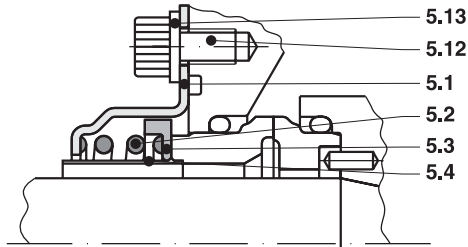
Impeller Ø	Pump type									
	W+10/8	W+30/120	W+55/35	W+55/60	W+60/110	W+70/40	W+80/80	W+110/130	W+25/210	W+65/350
	Part No.									
Ø290								L253748	L253749	
Ø285								L267680	L267700	
Ø280								L267681	L267701	
Ø275								L267682	L267702	
Ø270								L267683	L267703	
Ø265								L267684	L267704	
Ø260								L267685	L267705	L253750
Ø255							L253747	L267686	L267706	L267716
Ø250							L267559	L267687	L267707	L267717
Ø245							L267560	L267688	L267708	L267718
Ø240						L253746	L267561	L267689	L267709	L267719
Ø235						L267549	L267562	L267690	L267710	L267720
Ø230					L253745	L267550	L267563	L267691	L267711	L267721
Ø225					L267535	L267551	L267564	L267692	L267712	L267722
Ø220				L253744	L267536	L267552	L267565	L267693	L267713	L267723
Ø215				L267523	L267537	L267553	L267566	L267694	L267714	L267724
Ø210			L253743	L267524	L267538	L267554	L267567	L267695	L267715	L267725
Ø205			L267512	L267525	L267539	L267555	L267568	L267696		L267726
Ø200			L267513	L267526	L267540	L267556	L267569	L267697		L267727
Ø195			L267514	L267527	L267541	L267557	L267570			L267728
Ø190			L267515	L267528	L267542	L267558				L267729
Ø185			L267516	L267529	L267543					
Ø180			L267517	L267530	L267544					
Ø175		L253741	L267518	L267531	L267545					
Ø170		L267504	L267519	L267532	L267546					
Ø165		L267505	L267520	L267533	L267547					
Ø160		L267506	L267521	L267534	L267548					
Ø155		L267507	L267522							
Ø150		L267508								
Ø145		L267509								
Ø140		L267510								
Ø135		L267511								
Ø110	L267324									
Ø105	L273885									
Ø100	L273886									
Ø95	L273887									
Ø90	L273888									

4. Shaft seal

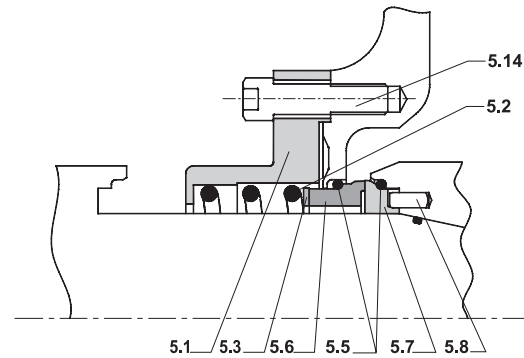
W+

4.1 Fixing Kit

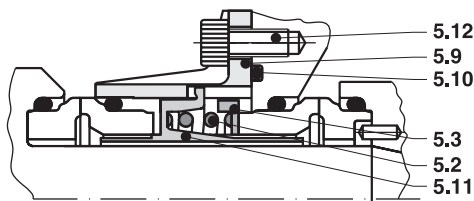
A. Single Seal Ø25+Ø35



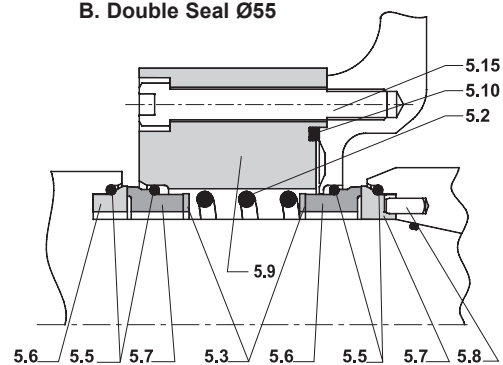
A. Single Seal Ø55



B. Double Seal Ø25+Ø35



B. Double Seal Ø55



Fixing kit					Shaft size		
					Ø25	Ø35	Ø55
Seal type	Item	Description	Material	Part no.			
A	Single Seal	5.1	Complete	AISI 316 AISI 316 AISI 316 PTFE	L772460	L772465	L808652
		5.2	Seal housing		(L773100)	(L773101)	- - - -
		5.3	Spring				
		5.4	Pressure ring				
B	Double seal	5.2	Complete	AISI 316 AISI 316 AISI 316 AISI 316 -	L194448	L194449	L808653
		5.3	Spring		2x Item 5.3		
		5.9	Pressure ring				
		5.11	Seal housing				
			Pressure ring				
	Union elbow	-	- - - -				

5.10	O-ring	EPDM	L772470	L771362	L25056404
5.12	4 Screws M6x10	AISI 316	L770496	L770496	- - - -
5.13*	4 Washers M6	AISI 316	L701477	- - - -	- - - -
5.14	4 Screws M8x30	AISI 316	- - - -	- - - -	L771857
5.15	4 Screws M8x50	AISI 316	- - - -	- - - -	L774194

* Only used for W+50/8

Rebuild from single to double seal: 1x Fixing kit double + 1x Face kit (see page 41) + 1x Item 5.10

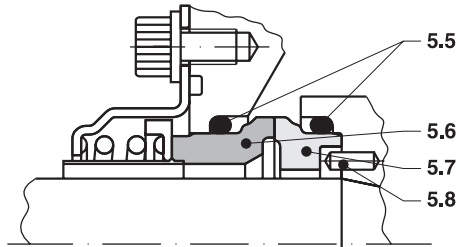
Rebuild from double to single seal: 1x Fixing kit single + 1x Item 5.13

4. Shaft seal

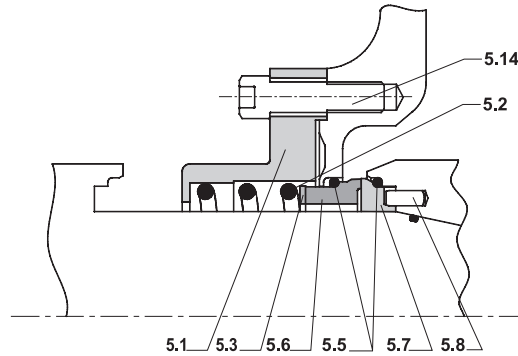
W+

4.2 Face Kit

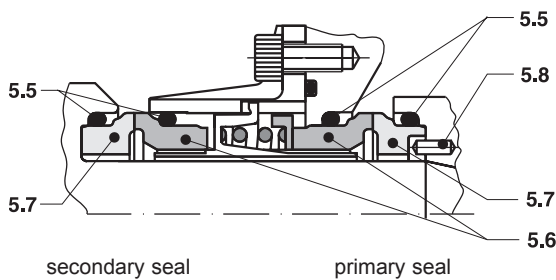
A. Single Seal Ø25+Ø35



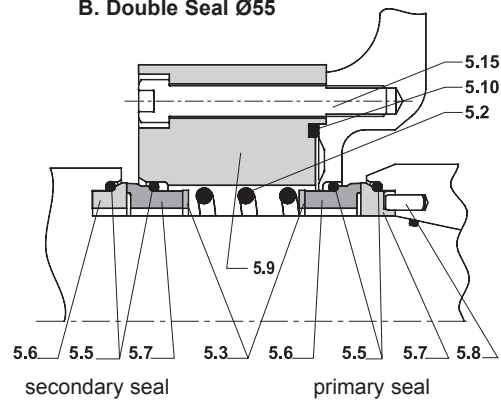
A. Single Seal Ø55



B. Double Seal Ø25+Ø35



B. Double Seal Ø55



Face kit	Item material				Shaft size		
	5.5 O-rings x2	5.6 Stationary seal	5.7 Rotary seal	5.8 Pin	Ø25	Ø35	Ø55
Reaction Bonded SiC/Car EPDM	EPDM	Reaction Bonded SiC	Resin Bonded Carbon	AISI 316L	L772461	L772466	L808648
Reaction Bonded SiC/Car FPM	FPM	Reaction Bonded SiC	Resin Bonded Carbon	AISI 316L	L772462	L772467	L808649
Reaction Bonded SiC/SiC EPDM	EPDM	Reaction Bonded SiC	Reaction Bonded SiC	AISI 316L	L772463	L772468	L808650
Reaction Bonded SiC/SiC FPM	FPM	Reaction Bonded SiC	Reaction Bonded SiC	AISI 316L	L772464	L772469	L808651
Self Sintered SiC/Car EPDM	EPDM	Self Sintered SiC	Resin Bonded Carbon	AISI 316L	L782461	L782466	*
Self Sintered SiC/Car FPM	FPM	Self Sintered SiC	Resin Bonded Carbon	AISI 316L	L782462	L782467	*
Self Sintered SiC/SiC EPDM	EPDM	Self Sintered SiC	Self Sintered SiC	AISI 316L	L782463	L782468	*
Self Sintered SiC/SiC FPM	FPM	Self Sintered SiC	Self Sintered SiC	AISI 316L	L782464	L782469	*
Knife Edge SiC/SiC FPM	FPM	Reaction Bonded SiC	Reaction Bonded SiC	AISI 316L	L789464	L789469	*

* Please contact SPX FT

Seal type B: All combinations of materials are available - SPX FT recommends to use SiC/Car as secondary seal

All seal rings marked as below:

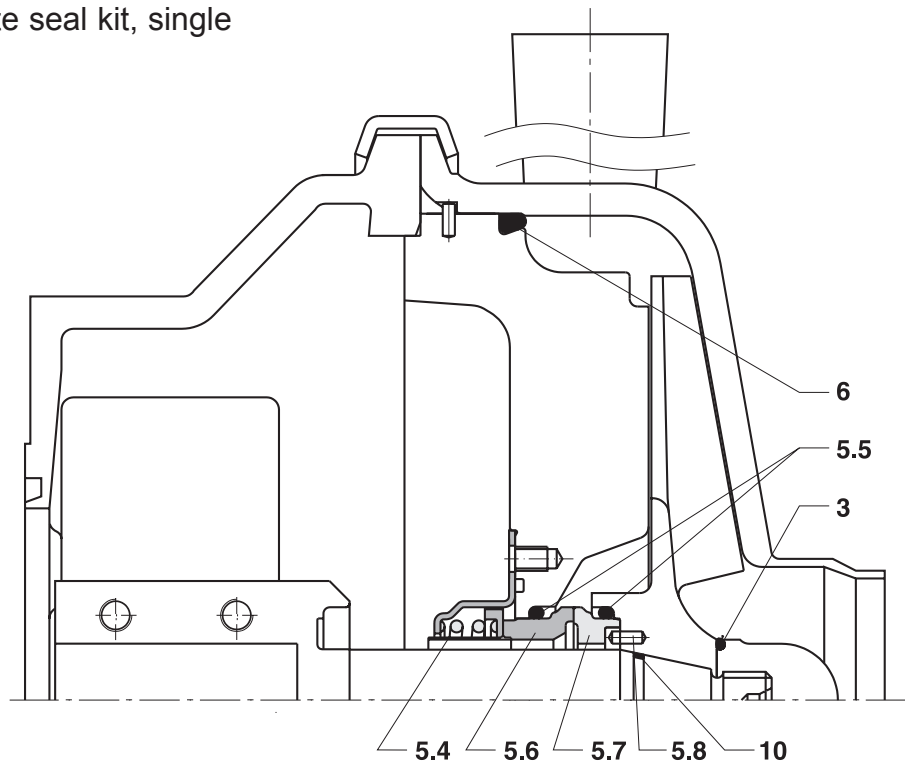
SSwwyyx - SS (Self Sintered SiC) - ww (week of production) - yy (year of production) - x (batch)

RBwwyyx - RB (Reaction Bonded SiC) - ww (week of production) - yy (year of production) - x (batch)

5. Complete seal kit

W+

5.1 Complete seal kit, single



Reaction Bonded SiC		Pump type							
Item	Material	W+10/8	W+22/20	W+30/80	W+25/210	W+35/35	W+35/55	W+30/120	W+50/600
		Part No.							
3, 6, 10, 5.4, 2x 5.5, 5.6, 5.7, 5.8	SiC/SiC EPDM	L800875	L800800	L800801	L800802	L800801	L800801	L800807	L808641
	SiC/Car EPDM	L800877	L800915	L800916	L800917	L800916	L800916	L800922	L808640
	SiC/SiC FPM	L800871	L800813	L800814	L800815	L800814	L800814	L800820	L808643
	SiC/Car FPM	L800873	L800928	L800929	L800930	L800929	L800929	L800935	L808642
		W+50/8	W+55/35	W+55/60	W+60/110	W+65/350	W+70/40	W+80/80	W+110/130
3, 6, 10, 5.4, 2x 5.5, 5.6, 5.7, 5.8	SiC/SiC EPDM	L800876	L800806	L800807	L800808	L800809	L800810	L800811	L800812
	SiC/Car EPDM	L800878	L800921	L800922	L800923	L800924	L800925	L800926	L800927
	SiC/SiC FPM	L800872	L800819	L800820	L800821	L800822	L800823	L800824	L800825
	SiC/Car FPM	L800874	L800934	L800935	L800936	L800937	L800938	L800939	L800940

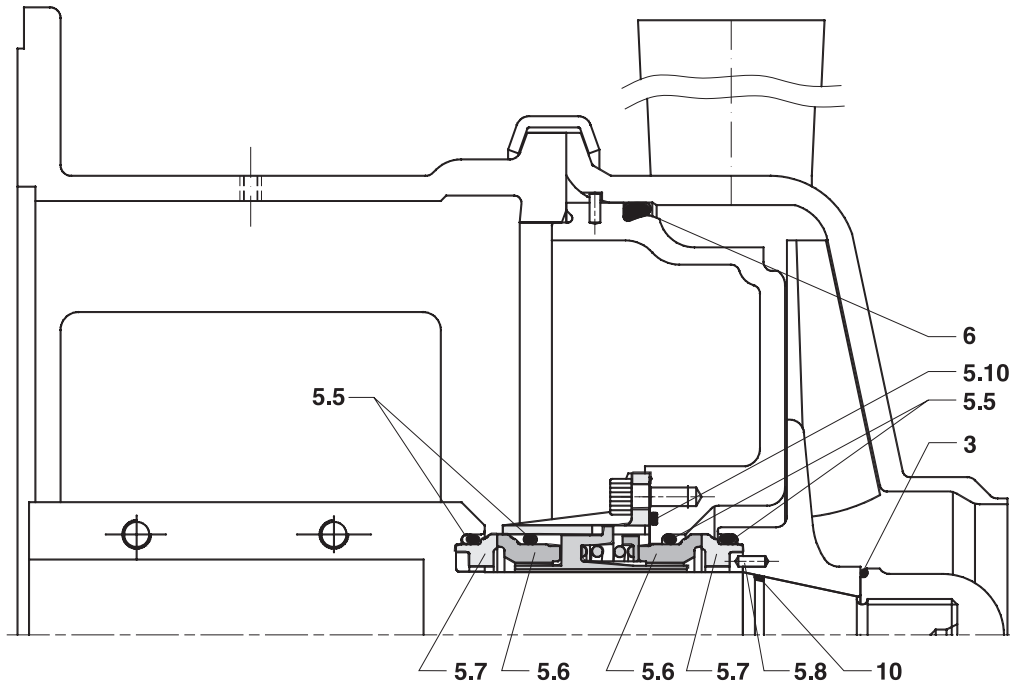
Self Sintered SiC		Pump type							
Item	Material	W+10/8	W+22/20	W+30/80	W+25/210	W+35/35	W+35/55	W+30/120	W+50/600
		Part No.							
3, 6, 10, 5.4, 2x 5.5, 5.6, 5.7, 5.8	SiC/SiC EPDM	L880875	L880800	L880801	L880802	L880801	L880801	L880807	*
	SiC/Car EPDM	L880877	L880915	L880916	L880917	L880916	L880916	L880922	*
	SiC/SiC FPM	L880871	L880813	L880814	L880815	L880814	L880814	L880820	*
	SiC/Car FPM	L880873	L880928	L880929	L880930	L880929	L880929	L880935	*
		W+50/8	W+55/35	W+55/60	W+60/110	W+65/350	W+70/40	W+80/80	W+110/130
3, 6, 10, 5.4, 2x 5.5, 5.6, 5.7, 5.8	SiC/SiC EPDM	L880876	L880806	L880807	L880808	L880809	L880810	L880811	L880812
	SiC/Car EPDM	L880878	L880921	L880922	L880923	L880924	L880925	L880926	L880927
	SiC/SiC FPM	L880872	L880819	L880820	L880821	L880822	L880823	L880824	L880825
	SiC/Car FPM	L880874	L880934	L880935	L880936	L880937	L880938	L880939	L880940

*Please contact SPX FT

5. Complete seal kit

W+

5.2 Complete seal kit, double



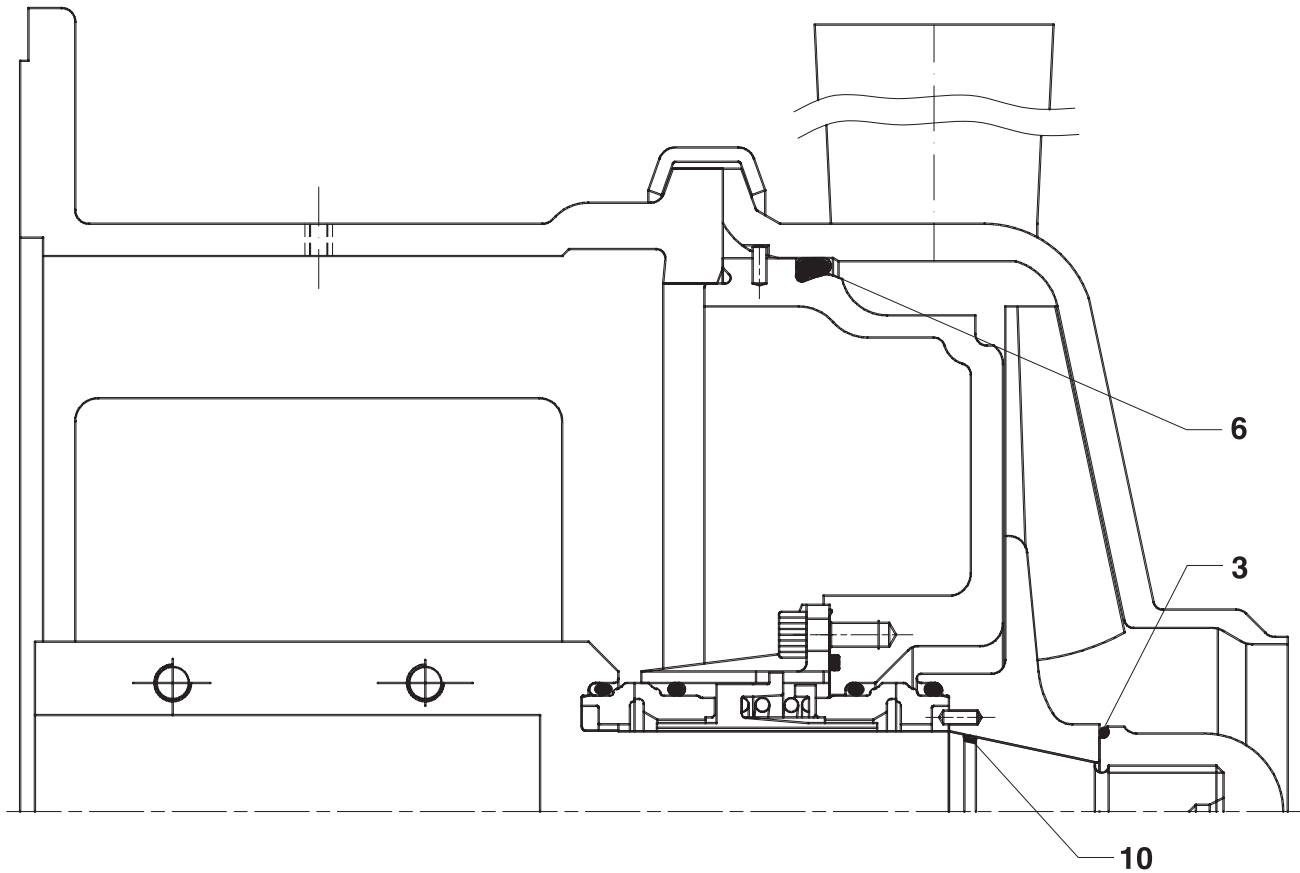
Reaction Bonded SiC		Pump type							
Item	Material	W+10/8	W+22/20	W+30/80	W+25/210	W+35/35	W+35/55	W+30/120	W+50/600
		Part No.							
3, 6, 10, 4x 5.5, 2x 5.6, 2x 5.7, 5.8, 5.10	SiC/SiC - SiC/Car EPDM	L808560	L808561	L808563	L808562	L808563	L808563	L808568	L808645
	SiC/Car - SiC/Car EPDM	L808574	L808575	L808577	L808576	L808577	L808577	L808582	L808644
	SiC/SiC - SiC/Car FPM	L808588	L808589	L808591	L808590	L808591	L808591	L808596	L808646
	SiC/Car - SiC/Car FPM	L808602	L808603	L808605	L808604	L808605	L808605	L808610	L808647
		W+50/8	W+55/35	W+55/60	W+60/110	W+65/350	W+70/40	W+80/80	W+110/130
3, 6, 10, 4x 5.5, 2x 5.6, 2x 5.7, 5.8, 5.10	SiC/SiC - SiC/Car EPDM	L808566	L808567	L808568	L808569	L808570	L808571	L808572	L808573
	SiC/Car - SiC/Car EPDM	L808580	L808581	L808582	L808583	L808584	L808585	L808586	L808587
	SiC/SiC - SiC/Car FPM	L808594	L808595	L808596	L808597	L808598	L808599	L808600	L808601
	SiC/Car - SiC/Car FPM	L808608	L808609	L808610	L808611	L808612	L808613	L808614	L808615

Self Sintered SiC		Pump type							
Item	Material	W+10/8	W+22/20	W+30/80	W+25/210	W+35/35	W+35/55	W+30/120	W+50/600
		Part No.							
3, 6, 10, 4x 5.5, 2x 5.6, 2x 5.7, 5.8, 5.10	SiC/SiC - SiC/Car EPDM	L888560	L888561	L888563	L888562	L888563	L888563	L888568	*
	SiC/Car - SiC/Car EPDM	L888574	L888575	L888577	L888576	L888577	L888577	L888582	*
	SiC/SiC - SiC/Car FPM	L888588	L888589	L888591	L888590	L888591	L888591	L888596	*
	SiC/Car - SiC/Car FPM	L888602	L888603	L888605	L888604	L888605	L888605	L888610	*
		W+50/8	W+55/35	W+55/60	W+60/110	W+65/350	W+70/40	W+80/80	W+110/130
3, 6, 10, 4x 5.5, 2x 5.6, 2x 5.7, 5.8, 5.10	SiC/SiC - SiC/Car EPDM	L888566	L888567	L888568	L888569	L888570	L888571	L888572	L888573
	SiC/Car - SiC/Car EPDM	L888580	L888581	L888582	L888583	L888584	L888585	L888586	L888587
	SiC/SiC - SiC/Car FPM	L888594	L888595	L888596	L888597	L888598	L888599	L888600	L888601
	SiC/Car - SiC/Car FPM	L888608	L888609	L888610	L888611	L888612	L888613	L888614	L888615

* Please contact SPX FT

6. O-rings kit

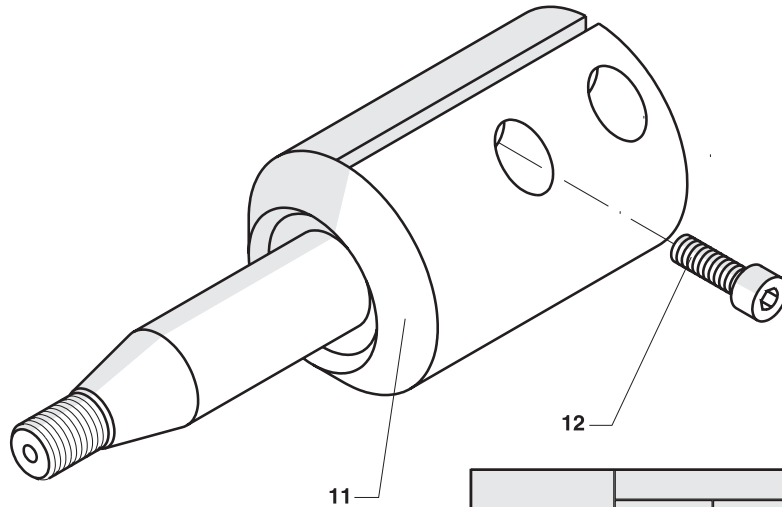
W+



Item	Material	Pump type							
		W+10/8	W+22/20	W+30/80	W+25/210	W+35/35	W+35/55	W+30/120	W+50/600
		Part No.							
3, 6, & 10	EPDM	L808760	L808761	L808762	L808763	L808762	L808762	L808765	L808789
3, 6, & 10	FPM(Viton)	L808774	L808775	L808776	L808777	L808776	L808776	L808779	L808788
		W+50/8	W+55/35	W+55/60	W+60/110	W+65/350	W+70/40	W+80/80	W+110/130
3, 6, & 10	EPDM	L808766	L808767	L808765	L808769	L808770	L808771	L808772	L808773
3, 6, & 10	FPM(Viton)	L808780	L808781	L808779	L808783	L808784	L808785	L808786	L808787

7. Shaft

W+



Pump type	Motor					
	80	90	100	112	132	160
	Shaft Ø25					
W+10/8	L273844					
W+22/20	L261546	L261559	L261560	L261560	L261547	
W+30/80		L261559	L261560	L261560	L261547	L261548
W+35/35		L261559	L261560	L261560	L261547	L261548
W+35/55		L261559	L261560	L261560	L261547	L261548
W+50/8		L267329	L267330	L267330	L267331	
W+55/35		L261559	L261560	L261560	L261547	L261548
	Item 12					
Qty.	1	1	2	2	2	2
Screw	L701942	L771199	L771199	L771199	L771199	L771199

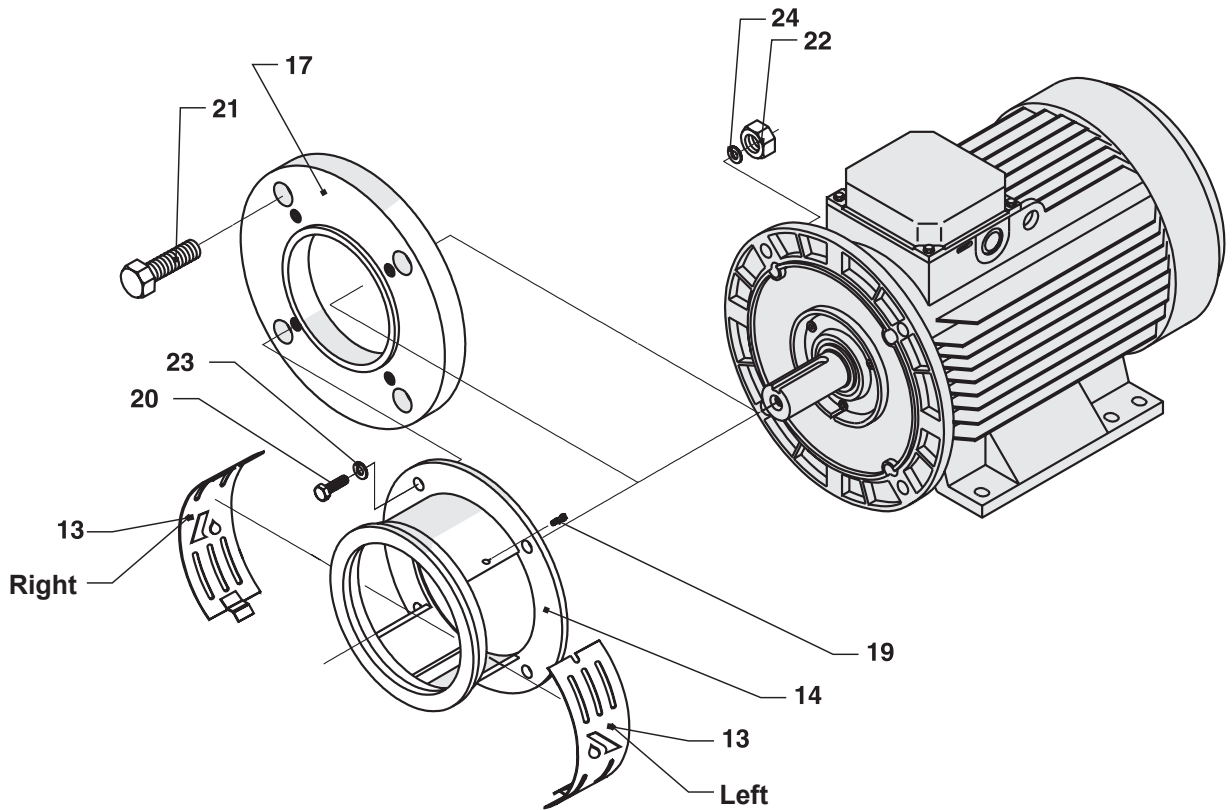
Pump type	Motor									
	90	100	112	132	160	180	200	225	250	280
	Shaft Ø35									
W+25/210					L261551	L261563	L261552	L261554		
W+30/120	L261561	L261562	L261562	L261550	L261551	L261563	L261552			
W+55/60	L261561	L261562	L261562	L261550	L261551	L261563	L261552			
W+60/110	L261561	L261562	L261562	L261550	L261551	L261563	L261552	L261552		
W+65/350				L261550	L261551	L261563	L261552	L261552	L261554	
Wi+65/350*				L261596	L261597	L261598	L261599	L261599	L261554	L261555
W+70/40	L261561	L261562	L261562	L261550	L261551	L261563	L261552			
W+80/80	L261561	L261562	L261562	L261550	L261551	L261563	L261552	L261552	L261554	
W+110/130		L261562	L261562	L261550	L261551	L261563	L261552	L261552	L261554	L261555
	Pos. 12									
Qty.	2	2	2	2	2	2	2	2	3	3
Screw	L771199	L771199	L771199	L771199	L771199	L771199	L701700	L701700	L701700	L701700

* Wi+65/350 2-pol motor

Pump type	Motor					
	180	200	225	250	280	315
	Shaft Ø55					
W+50/600	L279924	L279925	L279926	L279927	L279928	L279929
	Item 12					
Qty.	2	2	3	3	3	3
Screw	L781079	L781079	L781079	L781079	L781074	L781074

8. Extension frame and shaft guard

W+



Pump type	Motor											
	80	90	100	112	132*	160	180	200**	225***	250	280	315
	Item 14 - Extension frame											
W+10/8	L188735											
W+22/20	L261566	L261566	L261566	L261566	L261566							
W+30/80		L261565	L261565	L261565	L261565	L261564						
W+25/210						L187587	L187587	L187587	L187587			
W+35/35		L261565	L261565	L261565	L261565	L261564						
W+35/55		L261565	L261565	L261565	L261565	L261564						
W+30/120		L261567	L261567	L261567	L261567	L261568	L261568	L261568				
W+50/600							L261053	L261053	L261053	L261054	L261054	L261055
W+50/8		L267320	L267320	L267320	L267320							
W+55/35		L261567	L261567	L261567	L261567	L261568						
W+55/60		L261567	L261567	L261567	L261567	L261568	L261568	L261568				
W+60/110		L261569	L261569	L261569	L261569	L261570	L261570	L261570	L261570			
W+65/350					L168669	L168670	L168670	L168670	L168670	L187570	L187570	
W+70/40		L261571	L261571	L261571	L261571	L261572	L261572	L261572				
W+80/80		L261573	L261573	L261573	L261573	L261574	L261574	L261574	L261574	L261028		
W+110/130			L168671	L168671	L168671	L187576	L187576	L187576	L187576	L187589	L187589	

	Item 17 - Flange											
*					L267665							
**								L267666				
***									L267667			

8. Extension frame and shaft guard

W+

Pump type	Qty.		Motor														
			80	90	100	112	132	160	180	200	225	250	280	315			
			Item 13 - Shaft guard														
W+10/8	2	R/L	L800836														
W+22/20	2	R/L	L188334	L188334	L188334	L188334	L188334										
W+30/80	1	R		L188333	L188333	L188333	L188333										
	1	L		L188285	L188285	L188285	L188285										
	2	R/L						L188259									
W+25/210	2	R/L						L188587	L188587	L188587	L188587						
W+35/35	1	R		L188333	L188333	L188333	L188333										
W+35/55	1	L		L188285	L188285	L188285	L188285										
	2	R/L						L188259									
	1	R		L188339	L188339	L188339	188339										
W+30/120	1	L		L188597	L188597	L188597	L188597										
	2	R/L						L188335	L188335	L188335							
	2	R/L							L277319	L277319	L277319	L277319	L277319	L277319	L277319	L277319	L277319
W+50/600	2	R/L							L277319	L277319	L277319	L277319	L277319	L277319	L277319	L277319	
W+55/35	1	R		L188339	L188339	L188339	L188339										
	1	L		L188597	L188597	L188597	L188597										
	2	R/L						L188335									
W+55/60	1	R		L188339	L188339	L188339	L188339										
	1	L		L188597	L188597	L188597	L188597										
	2	R/L						L188335	L188335	L188335							
W+60/110	1	R		L188339	L188339	L188339	L188339										
	1	L		L188597	L188597	L188597	L188597										
	2	R/L						L188335	L188335	L188335	L188335						
W+65/350	1	R					L188333						L274032	L274032			
	1	L					L188285						L188591	L188591			
	2	R/L						L188337	L188337	L188337	L188337						
W+70/40	1	R		L188284	L188284	L188284	L188284										
	1	L		L188283	L188283	L188283	L188283										
	2	R/L						L188335	L188335	L188335	L188335	L188592					
W+110/130	2	R/L			L188588	L188588	L188588	L188589	L188589	L188589	L188589	L188590	L188590				

R= Right L=Left

Description	Item	Qty	Motor														
			80(W+10/8)	80	90	100	112	132	160	180	200	225	250	280	315		
			Part no.														
Screw	19	2	L700420	L700420	L700420	L700420	L700420	L700420	L700420	L700420	L700420	L700420	L700420	L700420	L700420	L700420	L700420
Screw	20	4	L770138	L707608	L700234	L700234	L700234	L700234	*L771944	*L771944	*L772568	L772568	**L770141	**L770141	**L773796		
Screw	21	4						L701078			L772567	L772567					
Nut	22	4							L701387	L701387	L701387	**L701387	**L701387	**L701387	**L701670		
Washer	23	4		L771425	L771425	L771425	L771425	L771425									
Washer	24	4							L701254	L701254	L701254	**L701254	**L701254	**L701254	**L773729		

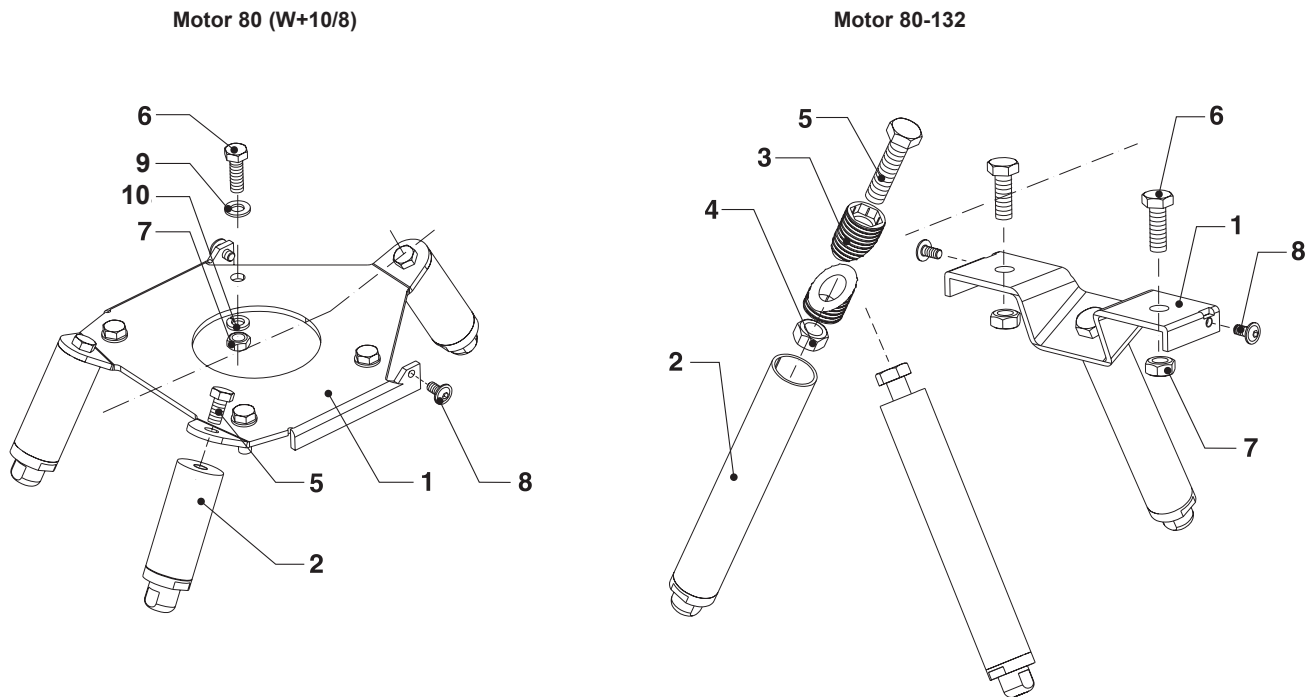
* Qty. = 2

** Qty. = 8

9. Adjustable Feet

W+

9.1 Motor Type 80-132



			Motor					
			80 (W+10/8)	80	90	100	112	132
			Centre height					
			160	260				
Item	Qty.	Description	Part no.					
		Complete frame	L808800	L808801	L808802	L808803	L808804	L808805
1	1	Frame	L273965	L809054	L809055	L809056	L809057	L809058
2	2	Leg, complete	L809064*	L809059	L809061	L809061	L809061	L809061
3	4	Split bushing	---	L282473	L282473	L282473	L282473	L282473
4	2	Nut	L771174	L700242	L700242	L700242	L700242	L700242
5	2	Screw	L700690*	L703141	L701981	L701981	L701981	L701981
6	2	Screw	L700234**	L701380	L701380	L701380	L701380	L700238
7	2	Nut	L700241**	L700864	L700864	L700864	L700864	L700242
8	2	Screw, flange head	L700420	L700420	L700420	L700420	L700420	L700420
9	4	Washer	L701478	---	---	---	---	---
10	4	Washer	L771147	---	---	---	---	---

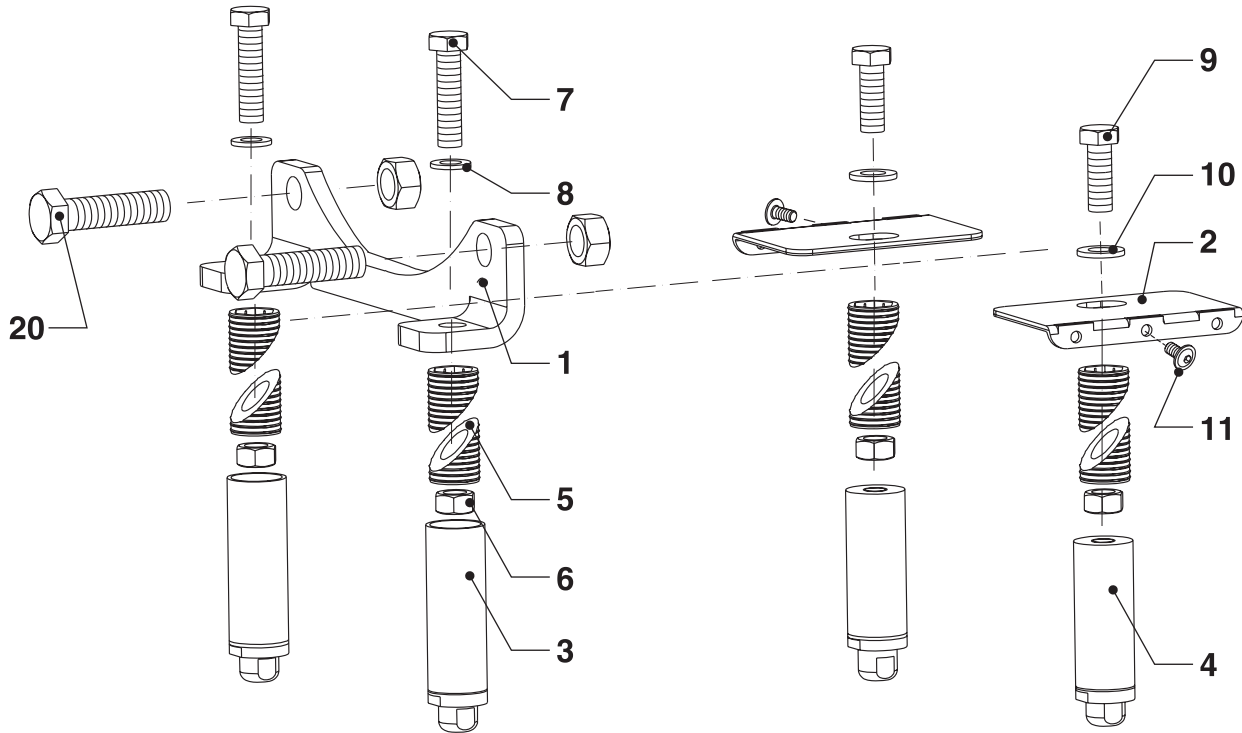
* W+10/8 Qty. = 3

** W+10/8 Qty. = 4

9. Adjustable Feet

W+

9.2 Motor Type 160-200

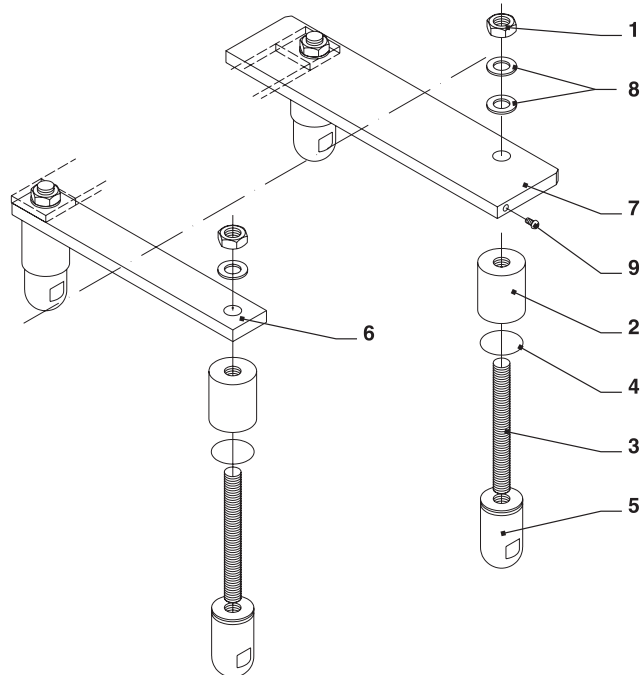


			Motor							
			160			180			200	
			Centre height							
			260	305	350	260	305	350	305	350
Item	Qty.	Description	Part no.							
-	-	Complete frame	L808806	L808807	L808808	L808809	L808810	L808811	L808812	L808813
1	1	Frame for front leg	L279962	L279962	L279962	L279962	L279962	L279963	L279963	L279963
2	2	Angle plate	L282488	L282488	L282488	L282488	L282488	L282488	-----	-----
2	1	Angle plate, R	-----	-----	-----	-----	-----	-----	L808709	L808709
2	1	Angle plate, L	-----	-----	-----	-----	-----	-----	L808710	L808710
3	4	Leg, complete	L809063	L809051	L809061	-----	-----	-----	L809065	L809066
3	2	Leg front, complete	-----	-----	-----	L809063	L809051	L809066	-----	-----
4	2	Leg back, complete	-----	-----	-----	L809062	L809060	L809049	-----	-----
5	8	Split bushing	-----	L282473	L282473	-----	L282473	L282473	L282473	L282473
6	4	Nut	-----	L700242	L700242	-----	L700242	L700242	L700242	L700242
7	2	Screw	L701265	L703141	L703141	L701265	L703141	L703141	L703141	L703141
8	2	Washer	L701475	L701475	L701475	L701475	L701475	L701475	L701475	L701475
9	2	Screw	L702996	L771697	L771697	L702996	L771697	L771697	L771698	L771698
10	2	Washer	L781058	L781058	L781058	L781058	L781058	L781058	L781058	L781058
11	2	Screw, flanged head	L700420	L700420	L700420	L700420	L700420	L700420	L700420	L700420
20	2	Screw	L701474	L701474	L701474	L701474	L701474	L701474	L701533	L701533

9. Adjustable Feet

W+

9.3 Motor Type 225-250

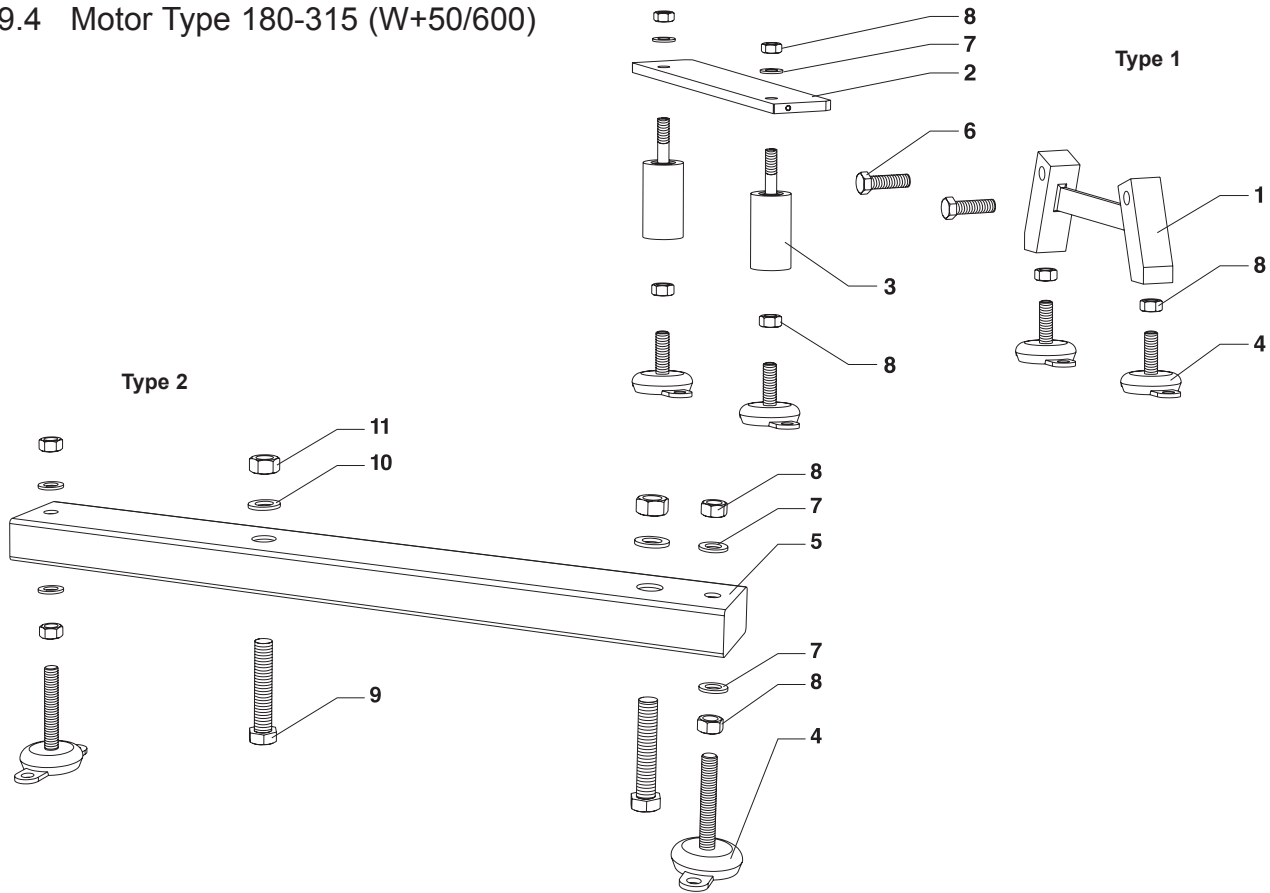


			Motor		
			225	250	
			Centre height		
			305	350	350
Item	Qty.	Description	Part no.		
-	-	Complete frame	L801108	L801109	L801110
1	4	Nut	L772449	L772449	L772449
2	4	Leg	L268474	L194461	L194460
3	4	Threaded rod	L268489	L268492	L268490
4	4	O-ring	L772491	L772491	L772491
5	4	Ball type foot	L268469	L268468	L268468
6	1	Fitting	L273824	L273824	L273825
7	1	Fitting	L268465	L268465	L273822
8	6	Washer	L772450	L772450	L772450
9	2	Screw	L700420	L700420	L700420

9. Adjustable Feet

W+

9.4 Motor Type 180-315 (W+50/600)



			Motor					
			180	200	225	250	280	315
			Type 1			Type 2		
			Centre height					
			350	350	350	350	375	415
Item	Qty.	Description	Part no.					
-	-	Complete frame	L808740	L808741	L808742	L808743	L808744	L808745
1	1	Frame	L279943	L279943	L279943	L279943	----	----
2	1	Fitting	L268485*	L273821	L279957	L279958	----	----
3	2	Leg	L282445	L282446	L282447	L282448	----	----
4	4	Machine feet	L773874	L773874	L773874	L773874	L773875	L773875
5	2	Ball type foot	----	----	----	----	L282449	L282450
6	2	Screw	L701474	L701474	L701474	L701474	----	----
7	2**	Washer	L701254	L701254	L701254	L701254	L701254	L701254
8	6**	Nut	L701387	L701387	L701387	L701387	L701387	L701387
9	4	Screw	----	----	----	----	L773715	L773715
10	4	Washer	----	----	----	----	L773488	L773488
11	4	Nut	----	----	----	----	L701670	L701670

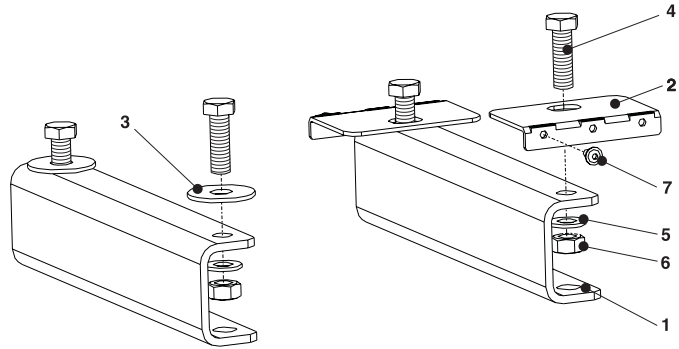
* Motor 180 Qty. = 2

** Type 2 Qty. = 8

10. Bracket Type A

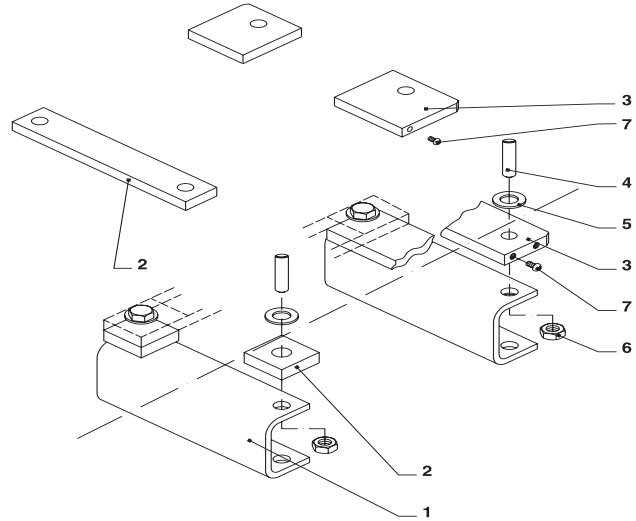
W+

10.1 Motor Type 80-180



			Motor						
			80	90	100	112	132	160	180
			Centre height						
			160	170	180	192	212	240	260
Item	Qty	Description	Part no.						
-	-	Bracket, complete	L809083	L809084	L809085	L809086	L809087	L809088	L809089
1	2	Bracket	L279980	L279981	L279982	L279983	L279984	L279985	L279986
2	2	Angle plate	L282502	L282502	L282503	L282503	L282503	L282488	L282488
3	2	Washer	L781058	L781058	L781058	L781058	L781058	L781062	L781062
4	4	Bolt	L701686	L701669	L701669	L701669	L702996	L773643	L773643
5	4	Washer	L701478	L701479	L701479	L701479	L701475	L772450	L772450
6	4	Nut	L700241	L700864	L700864	L700864	L700242	L772449	L772449
7	2	Screw, fl. head	L700420	L700420	L700420	L700420	L700420	L700420	L700420

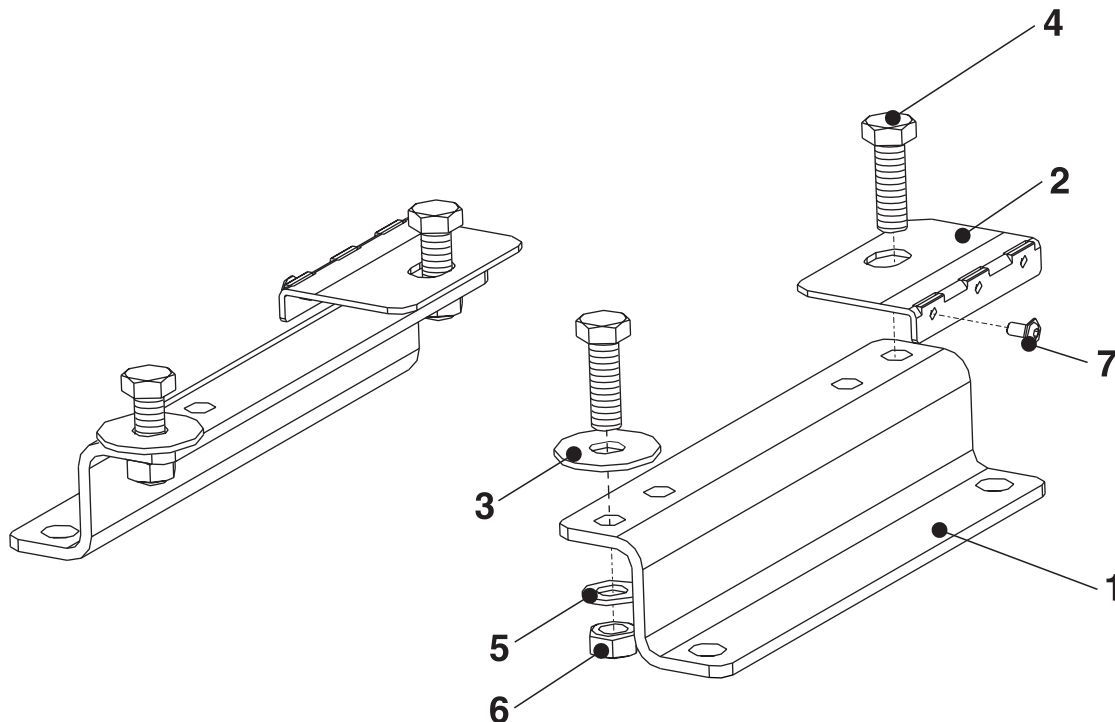
10.2 Motor Type 180-315



			Motor						
			180	200	200	225	250	280	315
			Centre height						
			305	280	305	305	330	360	395
Item	Qty.	Description	Part no.						
-	-	Bracket, complete	L809090	L809091	L809092	L809093	L809094	L809095	L809096
1	2	Bracket	L282421	L267732	L282422	L267733	L267734	L282423	L282424
2	2	Fitting, front	L268479	----	----	----	----	----	----
2	1	Fitting, front	----	L273820	L273820	L273824	L273825	----	----
3	2	Fitting, rear M	L268459	----	----	----	----	----	----
3	2	Fitting, rear L	L268461	----	----	----	----	----	----
3	1	Fitting, rear L/M	----	L273820	L273820	L268465	L273822	----	----
4	4	Threaded rod	L268489	L268489	L268489	L268489	L268489	L268489	L268489
5	8	Washer	L772450	L772450	L772450	L772450	L772450	L772450	L772450
6	8	Nut	L772449	L772449	L772449	L772449	L772449	L772449	L772449
7	2	Screw, fl. head	L700420	L700420	L700420	L700420	L700420	----	----

11. Bracket Type B

W+



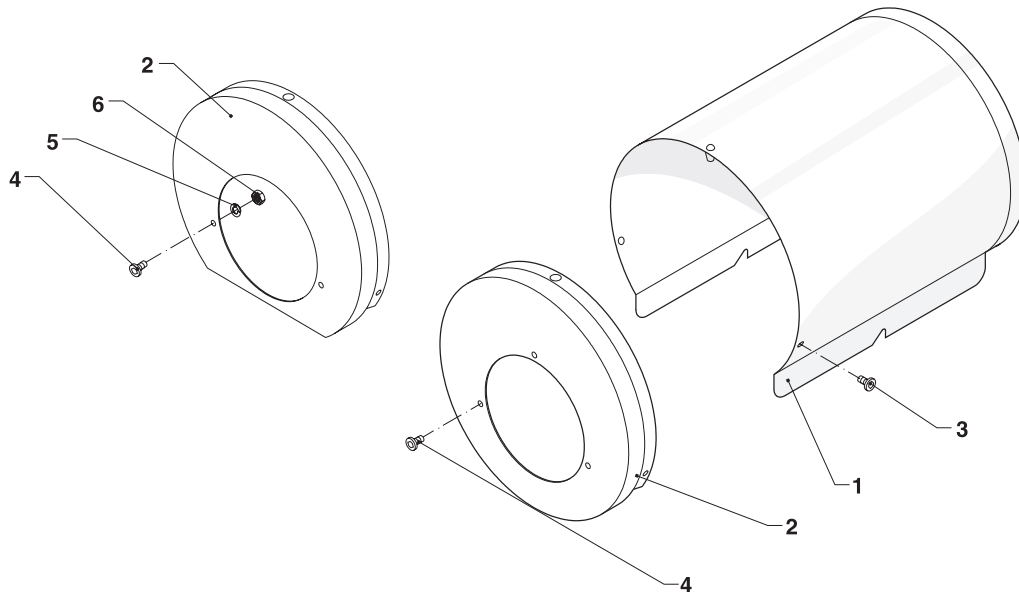
			Motor							
			80	90	100	112	132	160	180	200
			Centre height							
			225	225	225	225	225	225	225	225
Item	Qty.	Description	Part no.							
-	-	Bracket, complete	L809097	L809098	L809099	L809100	L809101	L809102	L809103	L809104
1	2	Bracket	L279987	L279988	L279989	L279990	L279991	L279992	L279993	L182913
2	2	Angle plate	L282502	----	L282503	L282503	L282503	L282488	L282488	----
2	2	Fitting, back	----	----	----	----	----	----	----	L268487
3	2*	Washer	L781058	----	L781058	L781058	L781058	L781062	L781062	L781062
4	2	Screw	----	----	----	----	----	----	----	L781066
4	4**	Screw	L701686	L756001	L701669	L701669	L702996	L773643	L773643	L773868
5	4	Washer	L701478	L701479	L701479	L701479	L701475	L772450	L772450	L772450
6	4	Nut	L700241	L700864	L700864	L700864	L700242	L772449	L772449	L772449
7	2	Screw, fl. head	L700420	L700420	L700420	L700420	L700420	L700420	L700420	L700420

* Motor 200 Qty. = 4

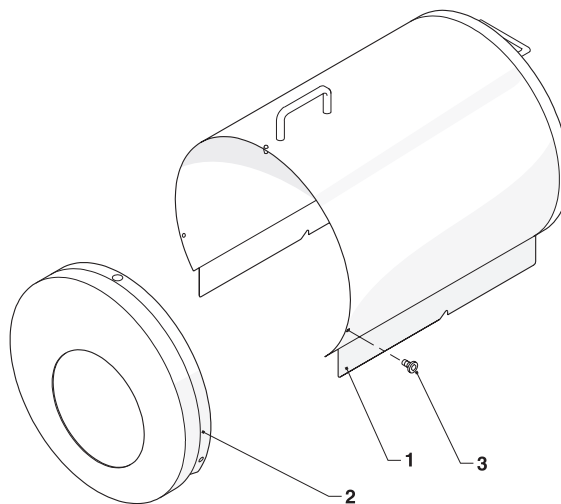
** Motor 200 Qty. = 2

12. Shroud

W+



			Motor					
			W+10/8	80	90	100	112	132
Item	Qty.	Description	Part no.					
1	1	Shroud	L188445	L188445	L188445	L188446	L188447	L188447
2	1	Collar	L188809	L194420	L194421	L194422	L194472	L194424
3	2	Screw	L773113	L773113	L773113	L773113	L773113	L773113
4	3	Screw	----	L700420	----	----	----	----
4	2	Screw	L700420	----	----	----	----	----
5	2	Washer	L771173	----	----	----	----	----
6	2	Nut	L700240	----	----	----	----	----



			Motor				
			160	180	200	225	250
Item	Qty.	Description	Part no.				
1	1	Shroud	L188448	L188449	L188450	L188452	L188452
2	1	Collar	L194425	L194426	L194427	L194477	L194429
3	4	Screw	L773113	L773113	L773113	L773113	L773113

W+

CENTRIFUGAL PUMP
SPARE PARTS LIST



SPX Flow Technology Poland sp. z o.o.

Hermana Frankego 9
85-862 Bydgoszcz, Poland
P: (+48) 52 525 9900
F: (+48) 52 525 9909

SPX reserves the right to incorporate design and material changes without notice or further obligation.

Design features, materials of construction and dimensional data, as described in this bulletin, are provided for your information only and should not be relied upon unless confirmed in writing. Please contact your local sales representative for product availability in your region. For more information please visit www.spx.com.

ISSUED 04/2015 – Original document
COPYRIGHT © 2013 SPX Corporation

www.sks-online.com